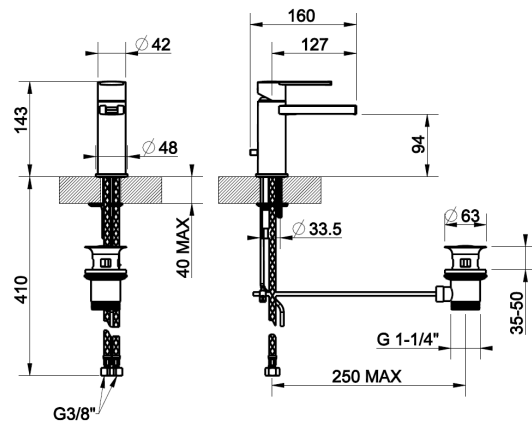




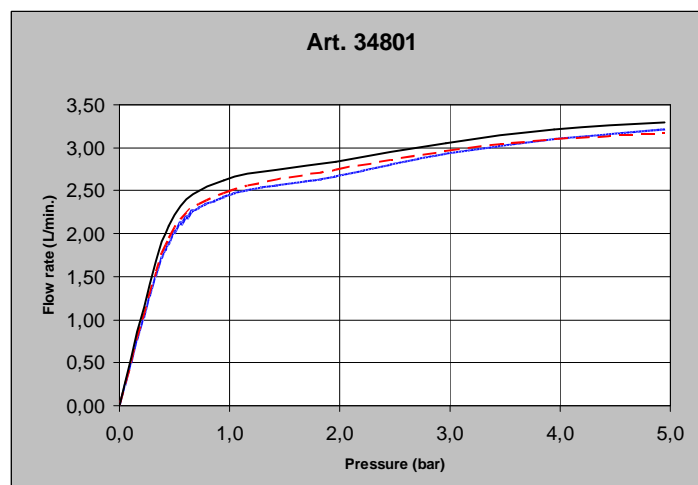
Art. 34801



Single hole mixer with 1" 1/4, waste and 3/8" flexible connections.  
External finish chrome in conformity to EN 248 standard.

#### Technical characteristics

- Body: brass used CW617N
- Cartridge diam. 25 mm
- Connection to supply net with flexibles 3/8" G
- Flow rate:



#### Technical prescriptions

- Working pressure range: 0,5 – 5 bar - in case of higher pressure, to use a pressure reducer
- Working water temperature not be higher than 70°C .
- In order to guarantee a long duration of the product, install filters between the supply net and the tap

#### Indications for the cleaning

- Clean exclusively with water and soap drying the tap with a soft cloth

#### Certifications

- A.C.S.