

Roofer

F12 A01 01

Benjamin Hubert

The three tone coloured scales, made of semi-rigid rubbery material. The lower part is closed by a polymethylmethacrylate diffuser disk.

typology



suggested bulb and options (n.i.)

A10209C12

E27
1x205W
HSGST

A10218C10

E27
1x30W
FBT



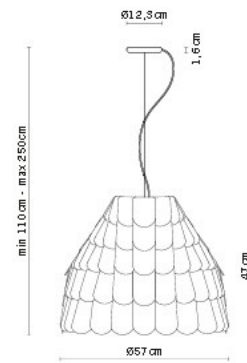
volume - weight

0,38 m³ - 5,5 Kg

technical information

IP20 

accessories included



Roofer

F12 A03 32

Benjamin Hubert

The three tone coloured scales, made of semi-rigid rubbery material. The lower part is closed by a polymethylmethacrylate diffuser disk.

typology



suggested bulb and options (n.i.)

A10209C12

E27
1x205W
HSGST

A10218C10

E27
1x30W
FBT



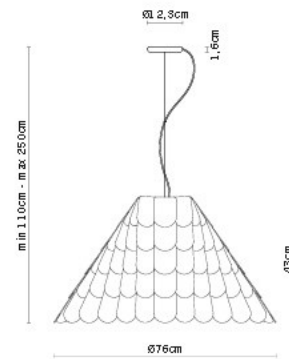
volume - weight

0,38 m³ - 5,5 Kg

technical information

IP20

accessories included



Roofer

F12 A05 01

Benjamin Hubert

The three tone coloured scales, made of semi-rigid rubbery material.
The lower part is closed by a polymethylmethacrylate diffuser disk.

typology



suggested bulb and options (n.i.)

A10217C10

E27
1x22W
FBT



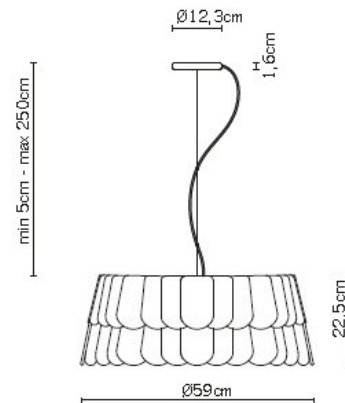
volume - weight

0,100 m³ - 4,00 Kg

technical information

IP20

accessories included



Roofer

F12 A05 01

Benjamin Hubert

The three tone coloured scales, made of semi-rigid rubbery material.
The lower part is closed by a polymethylmethacrylate diffuser disk.

tipology



suggested bulb and options (n.i.)

A10218C10

E27
1x30W
FBI



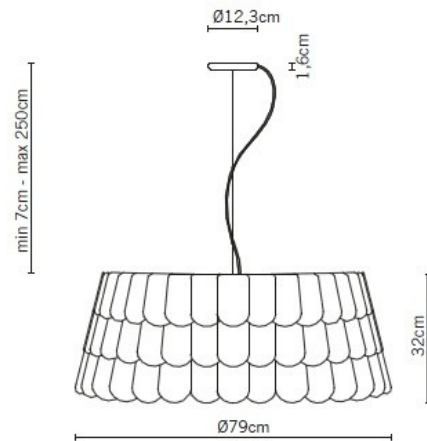
volume - weight

0,240 m³ - 6,50 Kg

technical information

IP20

accessories included



Roofer

F12 A09 01

Benjamin Hubert

The three tone coloured scales, made of semi-rigid rubbery material. The lower part is closed by a polymethylmethacrylate diffuser disk.

tipology



suggested bulb and options (n.i.)

A10218C10

E27
1x30W
FBT



volume - weight

0,680 m³ - 11,00 Kg

technical information

IP20 

accessories included

accessories not included

