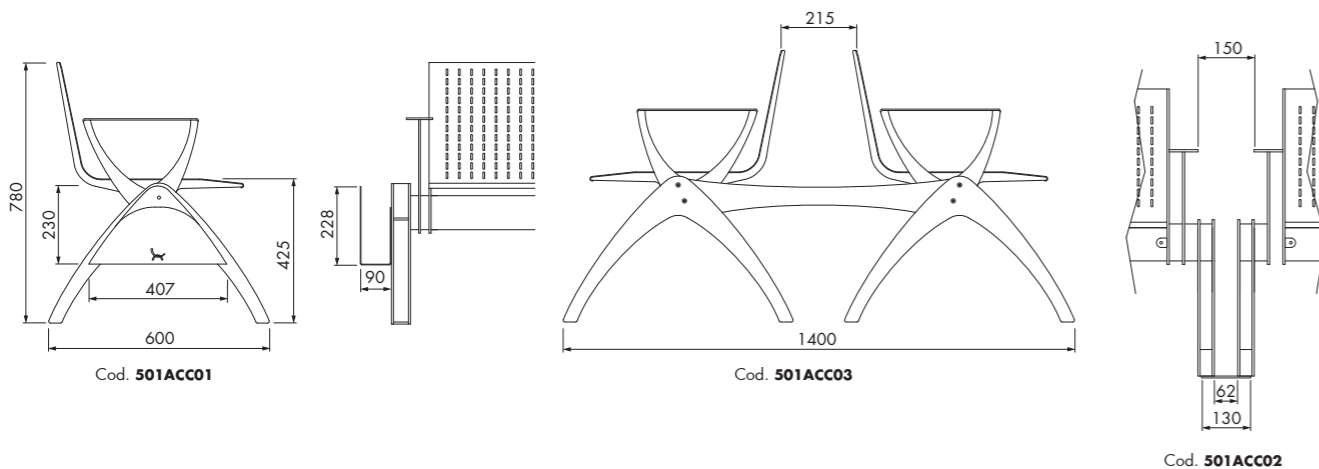


Cod. **5012S**: 1250 / Cod. **5013S**: 1800 / Cod. **5014S**: 2350

Cod. **5012**: 1250 / Cod. **5013**: 1800 / Cod. **5014**: 2350



Cod. **501ACC01**

Cod. **501ACC03**

Cod. **501ACC02**

Codice Code	Descrizione Description	Utilizzo Features
5010	Tavolino Table	
5012	Panca 2 posti 2 seats bench	
5013	Panca 3 posti 3 seats bench	
5014	Panca 4 posti 4 seats bench	
5012S	Panca 2 posti senza schienale 2 seats bench without back	
5013S	Panca 3 posti senza schienale 3 seats bench without back	
5014S	Panca 4 posti senza schienale 4 seats bench without back	
5015	Bracciolo aperto Open arm	
5016	Bracciolo chiuso Close arm	

Codice Code	Descrizione Description
501ACC01	Portariviste Magazine rack
501GI	Kit gamba intermedia appoggio pavimento Intermediate leg kit, laying at the floor
501GIF	Kit gamba intermedia fissaggio pavimento Intermediate leg kit, fixed at the floor
501ACC03	Trave aggancio isole Bench for island
501ACC02	Kit piastrine aggancio file Row connection kit

Tessuto consigliato:

Crep Cat. A
Ecopelle Cat. D

Advised fabric:

Crep Cat. A
Ecoleather Cat. D

Struttura:

VA - Vern. alluminio
VT - Vern. antracite

Frame:

VA - Aluminium painting
VT - Anthracite painting